

NEW

275/K4SF - 900RM

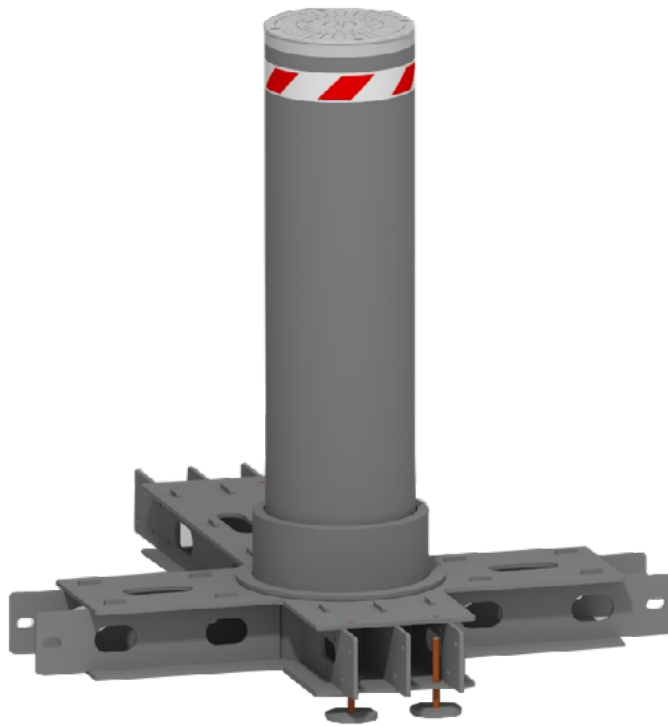


SHALLOW FOUNDATION REMOVABLE BOLLARD

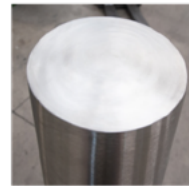
The removable 275/K4SF bollards have been designed and built for installations with shallow mounted requirements or in presence of underground utilities. The "SF" (shallow foundation) acronym identifies the slimmest laying depth of the entire range.

GENERAL FEATURES

The removable 275/K4SF bollards are used to separate and prevent vehicles from breaching the perimeter of the following areas: Research Centres, Embassies, Police Headquarters, Military Bases, Ministerial Buildings Sites in Sensitive Areas. The product is unique since the system can be composed depending on the project requirements. Starting from a single bollard configuration, the product is adaptable to different needs such as corners, curves and slopes.



Anticorrosion marine treatment



Replaceable stainless steel sleeve painted or brushed



NEW

275/K4SF - 900RM



AVAILABLE ITEMS

BOLLARD 275/K4SF REMOVABLE – NORMAL STEEL PAINTED equipped with standard EU lock with 2 keys

BOLLARD 275/K4SF REMOVABLE – STAINLESS STEEL (AISI 304) PAINTED equipped with standard EU lock with 2 keys

BOLLARD 275/K4SF REMOVABLE – STAINLESS STEEL BRUSHED equipped with standard EU lock with 2 keys

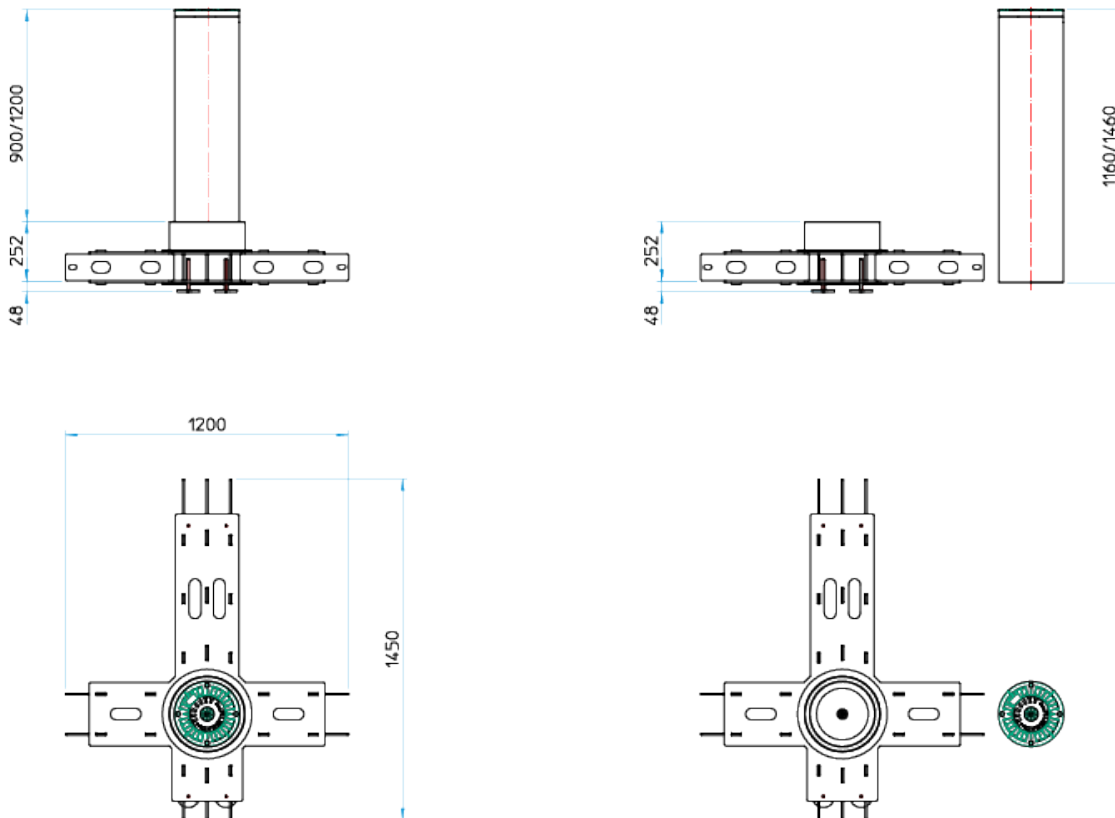
NORMAL STEEL PAINTED BASEMENT TO BE FIXED INTO THE GROUND

REMOVABLE CYLINDER IN AISI 316 STAINLESS STEEL

SQUARED PERIMETRAL CROWN FOR BASEMENT (MOUNTING SET)
The squared perimeter crown has the same dimension of the automatic version

CYLINDER PAINTING IN ANY RAL COLOR

ADDITIONAL HEAD FOR 275/K4SF REMOVABLE BOLLARD



NEW

275/K4SF - 900RM



275/K4SF-900RM	
CYLINDER MATERIAL	S355JR NORMAL STEEL - X5CrNi 18-10 (AISI 304) STAINLESS STEEL - X5CrNiMo 17-12-2 (AISI 316) STAINLESS STEEL
CYLINDER DIAMETER	273mm
CYLINDER HEIGHT	900mm
	10mm
CYLINDER NORMAL STEEL FINISH	ANTI-CORROSION TREATMENT - GREY ANTHRACITE STANDARD PAINTING
CYLINDER STAINLESS STEEL FINISH	GREY ANTHRACITE STANDARD PAINTING OR BRUSHINGFULL INOX CYLINDER OR REPLACEABLE SLEEVE
REFLECTING ADHESIVE STRIP	STANDARD - HEIGHT 55mm
FOUNDATION DEPTH	200mm (optional: 300mm incl. approx 100mm for finished floor covering, e.g. paving stones)
IMPACT RESISTANCE (WITHOUT DEFORMATION)	100.000 J
BREAKOUT RESISTANCE	750.000 J
PERIMETRAL CROWN (CIRCULAR)	INCLUDED IN THE SUPPLY
SECURITY LOCKSERRATURA DI SICUREZZA	STANDARD
ANTI-CORROSION TREATMENT "M"	OPTIONAL ORDER IN CASE OF INSTALLATION AT LESS THAN 2KM FROM THE SEA ORDER IN CASE OF INSTALLATION WHERE SALT IS USED ON THE ROAD TO AVOID ICE FOR A PERIOD UP TO 3 MONTHS
CERTIFIED	PAS68:2013 V/7500(N2)/48/90: 0.0 IWA 14-1:2013 V/7200(N2A)/48/90: 0.3 ASTM F2656/F2656M P1

