

275/PL 600A



HYDRAULIC BOLLARDS WITH PUMP IN THE CONTROL UNIT

The 275/PL 600A automatic bollards are the products with the best quality/price ratio of the hydraulic PILOMAT range. Current models are the result of our 40 years' experience in the security field and in excess of 20 years in the specific design and manufacture of automatic bollards.

The 275/PL 600A bollard is recommended for use in any pedestrian areas, private parkings, business parkings, private driveways, business driveways, commercial driveways.

The 275/PL 600A is available with a large number of optional accessories that allow you to customize your system according to your security needs.



PAG.1/3

PILOMAT
HÖRMANN
100% MADE IN ITALY

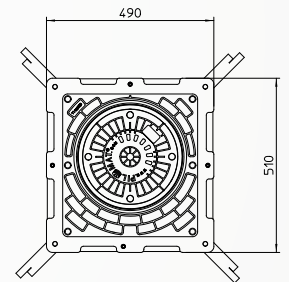
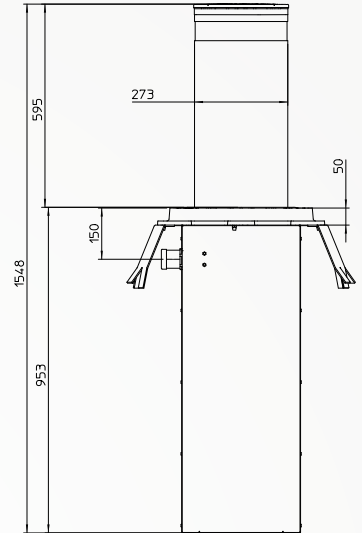
PILOMAT s.r.l.
www.pilomat.com / pilomat@pilomat.com
Via Zanica 17/p, 24050, Grassobbio (BG) Italy
Tel. +39.035.29.72.20
Copyright 2021© Pilomat S.r.l. All rights reserved

REVIEW 08/09/2021

*Information in this document is for reference only. In pursuit of its policy of continuous refinement and improvement, Pilomat reserves the right to amend this information at any time and without prior notice.
Picture shown is for illustration purpose only.*

AVAILABLE ITEMS

BOLLARD 275/PL 600AFEV - NORMAL STEEL PAINTED
FOUNDATION BOX IN ALUZINC FOR 275/PL 600A - COUNTERFRAME AND BRACKETS ONE FOUNDATION BOX FOR EACH BOLLARD
CONTROL UNIT FOR 275/PL 600A
MULTILED LIGHTING STRIP- 25 LED POINTS
ACOUSTIC WARNING SIGNAL FOR AUTOMATIC BOLLARD
REFLECTING ADHESIVE STRIP - WHITE (NO-LOGO)
HEAD WITHOUT LOGO FOR 275/PL 600A
PAINTING WITH RAL COLOUR ON REQUEST
BIODEGRADABLE OIL FOR HYDRAULIC UNIT
HEATING RESISTANCE FOR BOLLARDS - TRANSFORMER AND THERMOSTAT ONE RESISTANCE FOR EACH BOLLARD
RADIO RECEIVER
RADIO TRANSMITTER TWO-CHANNEL
TRAFFIC LIGHT WITH TWO LIGHTS (GREEN-RED)
INDUCTIVE DETECTOR FOR LOOPS
INDUCTIVE LOOPS
TIMER PROGRAMMER
INDUCTIVE CARD READER
LOCK SELECTOR



275/PL 600A



CYLINDER MATERIAL	S235JR NORMAL STEEL
CYLINDER DIAMETER	273mm
CYLINDER HEIGHT	600mm
CYLINDER THICKNESS	5mm
CYLINDER NORMAL STEEL FINISH	ANTI-CORROSION TREATMENT - STANDARD PAINTING GREY ANTHRACITE
REFLECTING ADHESIVE STRIP	STANDARD - HEIGHT 55mm
RISING SPEED	12cm/s
LOWERING SPEED	25cm/s
MANUAL EMERGENCY LOWERING	STANDARD
SAFETY REVERSAL	STANDARD
CONNECTION LINE TO CONTROL UNIT	STANDARD 10m (MAX. LENGTH 20m)
VOLTAGE FOR CONTROL UNIT	230Vac (+/-10%) 50/60Hz
HYDRAULIC UNIT	IN THE CONTROL UNIT
PROTECTION CLASS	IP67
TYPE OF USE	INTENSIVE - 2000 CYCLES/DAY
LIFE UNITS	3.000.000 CYCLES
IMPACT RESISTANCE (WITHOUT DEFORMATION)	40.000 J
BREAKOUT RESISTANCE	200.000 J
OPERATING TEMPERATURE	-40 °C +70 °C (FOR TEMPERATURES LOWER THAN -10 °C USE THE HEATING RESISTANCE)
LOAD CLASS (EN124)	D400

