

275/P 500SA-600SA-800SA



SEMI-AUTOMATIC BOLLARDS WITH GAS ACTUATOR

The semiautomatic bollards 275/P with single gas actuator are designed and built with architectural appearance similar to that of the automatic bollards and therefore also allows the combined use of both versions. Current models are the result of our 40 years' experience in the security field and in excess of 20 years in the specific design and manufacture of bollards.

GENERAL FEATURES

The Semiautomatic bollards are used to define or prevent the stationing or transit of vehicles in pedestrian or private areas. Because of the procedure of parking, it is advised that the semi-automatic bollards be used only if the amount of daily movements is limited.



PAG.1/3

PILOMAT
HÖRMANN
100% MADE IN ITALY

PILOMAT s.r.l.
www.pilomat.com / pilomat@pilomat.com
Via Zanica 17/p, 24050, Grassobbio (BG) Italy
Tel. +39.035.29.72.20
Copyright 2021© Pilomat S.r.l. All rights reserved

REVIEW 24/09/2021

*Information in this document is for reference only. In pursuit of its policy of continuous refinement and improvement, Pilomat reserves the right to amend this information at any time and without prior notice.
Picture shown is for illustration purpose only.*

AVAILABLE ITEMS

BOLLARD 275/P FEV - NORMAL STEEL PAINTED

BOLLARD 275/P IXV - STAINLESS STEEL PAINTED

BOLLARD 275/P IXS - STAINLESS STEEL BRUSHED

KNURLING ON CYLINDER

FOUNDATION BOX IN ALUZING FOR 275/P - COUNTERFRAME AND BRACKETS
ONE FOUNDATION BOX FOR EACH BOLLARD

MULTILED LIGHTING STRIP - 25 LED POINT

LIGHTING STRIP POWER CIRCUIT FOR SEMIAUTOMATIC BOLLARDS (MAX. 8 BOLLARDS)

HEAD WITHOUT LOGO FOR 275/P

PAINTING WITH RAL COLOUR ON REQUEST

STANDARD LOCK AND SECURITY LOCK - 2 KEYS

LOCK FOR TRIANGULAR KEY 11mm - 2 KEYS

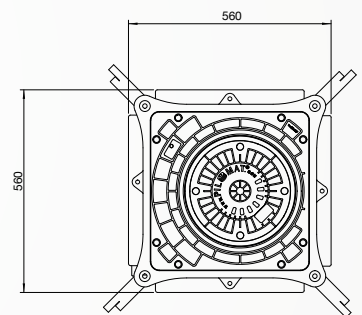
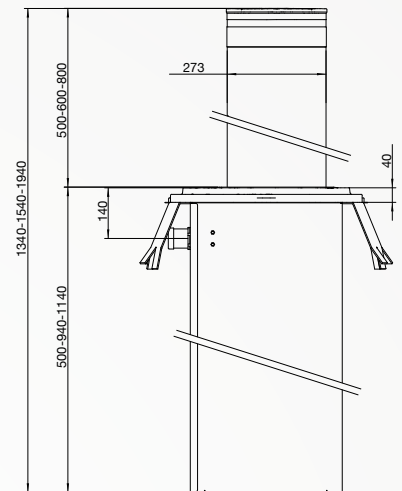
LOCK FOR TRIANGULAR KEY 9mm - WITHOUT KEYS

LOCK FOR TRIANGULAR KEY 16mm - WITHOUT KEYS

LOCK FOR TRIANGULAR KEY 19mm - WITHOUT KEYS

KIT 5 TRIANGULAR KEYS 11mm FOR SEMIAUTOMATIC BOLLARDS

KIT 5 STANDARD KEYS FOR SEMIAUTOMATIC BOLLARDS



275/P 500SA-600SA-800SA



	275/P-500SA	275/P-600SA	275/P-800SA
CYLINDER MATERIAL	S235JR NORMAL STEEL - X5CrNi 18-10 (AISI 304) STAINLESS STEEL		
CYLINDER DIAMETER	273mm		
CYLINDER HEIGHT	500mm	600mm	800mm
CYLINDER THICKNESS	6mm		
MOVEMENT PRINCIPLE	SEMIAUTOMATIC WITH GAS ACTUATOR		
CYLINDER NORMAL STEEL FINISH	ANTI-CORROSION TREATMENT - GREY ANTHRACITE STANDARD PAINTING		
CYLINDER STAINLESS STEEL FINISH	GREY ANTHRACITE STANDARD PAINTING OR BRUSHING		
REFLECTING ADHESIVE STRIP	STANDARD - HEIGHT 55mm		
RISING SPEED	20cm/s		
LOWERING SPEED	MANUAL (PRESSURE WITH THE FOOT ON THE HEAD OF THE BOLLARD)		
CONNECTION LINE FOR FLASHING LIGHT (OPTIONAL)	STANDARD 10m - (MAX. LENGTH 80m - WITH HEATING RESISTANCE MAX 50m)		
PROTECTION CLASS	IP67		
IMPACT RESISTANCE (WITHOUT DEFORMATION)	30.000 J - Certified TUV Rheinland		
BREAKOUT RESISTANCE	250.000 J		
NOMINAL OPERATING TEMPERATURE	-40 °C +70 °C (FOR LOW TEMPERATURES SEE THE HEATING RESISTANCE)		
SECURITY LOCK VERSION (OPTIONAL)	N.A.	EUROPEAN PROFILE HALF CYLINDER ACCORDING TO DIN 18252	
LOAD CLASS (EN124)	D400		

