

# 220/PL 600A



## HYDRAULIC BOLLARDS WITH PUMP IN THE CONTROL UNIT

The 220/PL 600A automatic bollards are the products with the best quality/price ratio of the hydraulic PILOMAT range. Current models are the result of our 40 years' experience in the security field and in excess of 20 years in the specific design and manufacture of automatic bollards.

The 220/PL 600A bollard is recommended for use in any pedestrian areas, private parkings, business parkings, private driveways, business driveways, commercial driveways.

The 220/PL 600A is available with a large number of optional accessories that allow you to customize your system according to your security needs.



PAG.1/3

**PILOMAT**  
**HÖRMANN**  
100% MADE IN ITALY

PILOMAT s.r.l.  
www.pilomat.com / pilomat@pilomat.com  
Via Zanica 17/p, 24050, Grassobbio (BG) Italy  
Tel. +39.035.29.72.20  
Copyright 2021© Pilomat S.r.l. All rights reserved

REVIEW 09/09/2021

*Information in this document is for reference only. In pursuit of its policy of continuous refinement and improvement, Pilomat reserves the right to amend this information at any time and without prior notice.  
Picture shown is for illustration purpose only.*

## AVAILABLE ITEMS

BOLLARD 220/PL 600AFEV - NORMAL STEEL PAINTED

FOUNDATION BOX IN ALUZINC FOR 220/PL 600A - COUNTERFRAME AND BRACKETS  
ONE FOUNDATION BOX FOR EACH BOLLARD

CONTROL UNIT FOR 220/PL 600A

MULTILED LIGHTING STRIP - 8 LED POINTS

ACOUSTIC WARNING SIGNAL FOR AUTOMATIC BOLLARD

REFLECTING ADHESIVE STRIP - WHITE (NO-LOGO)

HEAD WITHOUT LOGO FOR PILOMAT 220/PL 600A

PAINTING WITH RAL COLOUR ON REQUEST

BIODEGRADABLE OIL FOR HYDRAULIC UNIT

HEATING RESISTANCE FOR BOLLARDS - TRANSFORMER AND THERMOSTAT  
ONE RESISTANCE FOR EACH BOLLARD

RADIO RECEIVER

RADIO TRANSMITTER TWO-CHANNEL

TRAFFIC LIGHT WITH TWO LIGHTS (GREEN-RED)

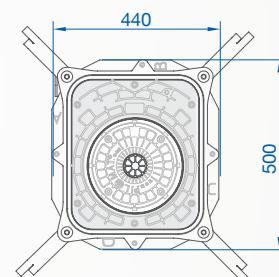
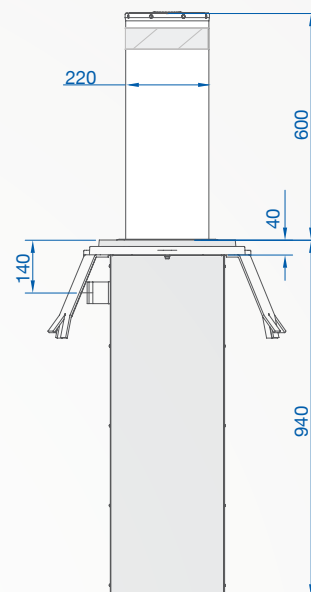
INDUCTIVE DETECTOR FOR LOOPS

INDUCTIVE LOOPS

TIMER PROGRAMMER

INDUCTIVE CARD READER

LOCK SELECTOR



# 220/PL 600A



CYLINDER MATERIAL	S235JR NORMAL STEEL
CYLINDER DIAMETER	220mm
CYLINDER HEIGHT	600mm
CYLINDER THICKNESS	4mm
CYLINDER NORMAL STEEL FINISH	ANTI-CORROSION TREATMENT - STANDARD PAINTING GREY ANTHRACITE
REFLECTING ADHESIVE STRIP	STANDARD - HEIGHT 55mm
RISING SPEED	12cm/s
LOWERING SPEED	25cm/s
MANUAL EMERGENCY LOWERING	STANDARD
SAFETY REVERSAL	STANDARD
CONNECTION LINE TO CONTROL UNIT	STANDARD 10m (MAX. LENGTH 20m)
VOLTAGE FOR CONTROL UNIT	230/400 Vac (+/- 10%) 50/60Hz
HYDRAULIC UNIT	IN THE CONTROL UNIT
PROTECTION CLASS	IP67
TYPE OF USE	INTENSIVE - 2000 CYCLES/DAY
LIFE UNITS	3.000.000 CYCLES
IMPACT RESISTANCE (WITHOUT DEFORMATION)	30.000 J
BREAKOUT RESISTANCE	150.000 J
OPERATING TEMPERATURE	-40 °C +70 °C (FOR TEMPERATURES LOWER THAN -10 °C USE THE HEATING RESISTANCE)
LOAD CLASS (EN124)	D400

